

MAIN DRAIN  
BONDE DE FOND  
SUMIDERO  
SACARICO DI FONDO  
BODENBLAUFLAUF  
RALOS DE FUNDO

ГК "Аквапул" e-mail: [aquapool66@mail.ru](mailto:aquapool66@mail.ru)  
[www.masterural.ru](http://www.masterural.ru) [www.aquapool.kz](http://www.aquapool.kz)  
[www.aquapool-by.su](http://www.aquapool-by.su) [www.aquapoolam.su](http://www.aquapoolam.su)

Main drain made in polyester resin + F.V. Gel-coat finish /Grill of stainless steel / Screws of Stainless steel AISI 316.



Bonde de fond en résine de polyester + F.V. finissage en Gel-Coat / Grille en inox /Vis en Inox AISI 316

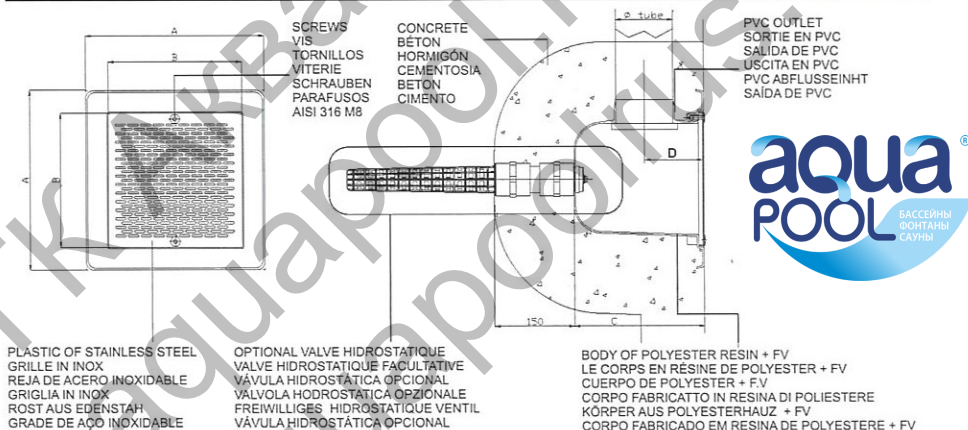
Sumidero fabricado en resina de polyester + F.V. acabado de gel-coat / Rejilla de inoxidable / Tornillos en acero inoxidable AISI 316.

Scarico di fondo fabbricato in resina di poliesterre + FV finitura in gel-coat / Griglia ininox / Viterie inox AISI 316 .

Bodenablauf aus Polyesterharz + F.V. Gel-Coat Finish / Rost aus edelstah / Schrauben aus edelstah AISI 316.

Ralos de fundo modelo fabricada em resina de poliesterre + fv acabado em gel-coat / Grade en aço inoxidável / Parafusos en aço inoxidável AISI 316

## 1.DIMENSIONS (mm)



**aqua**  
**POOL**  
БАСЕЙНЫ  
ФОНТАНЫ  
САУНЫ

Models	A	B	C	D	E	ø Tube	m³/h
20282	355	257	252	245	130	75	16
20283	355	257	252	245	130	90	22
20284	355	257	252	245	130	110	33
20285	515	412	410	363	188	110	33
20286	515	412	410	363	188	125	43
20287	515	412	410	363	188	140	54
20288	515	412	410	363	188	160	70
20289	515	412	410	363	188	200	100

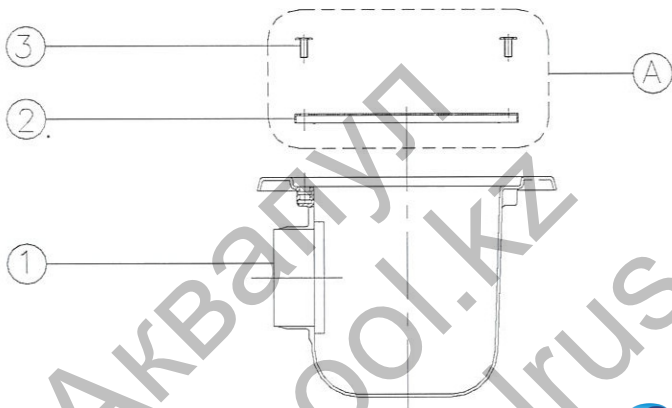
MAX. FLOW RECOMENDED ON THE GRILL	33,5 m³/h	(0,5 m/s)	(Cod. 20282, 20283, 20284)
MAX. FLOW RECOMENDED ON THE GRILL	20 m³/h	(0,3 m/s)	(Cod. 20282, 20283, 20284)

MAX. FLOW RECOMENDED ON THE GRILL	103 m³/h	(0,5 m/s)	(Cod. 20285-20289)
MAX. FLOW RECOMENDED ON THE GRILL	62 m³/h	(0,3 m/s)	(Cod. 20285-20289)

MAIN DRAIN  
BONDE DE FOND  
SUMIDERO  
SACARICO DI FONDO  
BODENABLAUF  
RALOS DE FUNDO

ГК "Акванул" e-mail: aquapool66@mail.ru  
www.masterural.ru www.aquapool.kz  
www.aquapool-by.su www.aquapoolam.su

## 2.COMPONENTS



**aqua**<sup>®</sup>  
**POOL**  
БАССЕЙНЫ  
ВОСТАНЫ  
САУНЫ

Models 20282, 20283, 20284, 20285, 20286, 20287, 20288, 20289

№	Denomination	Code	Units
1	Main drain made in polyester resin + FV/Bonde de fond en résine de polyester + FB/Sacarico di fondo fabbricato in resine di poliestere + FV/Bodenablauf aus Polyesterholz + FV/Ralos de fundo modelo fabricado em resina de poliestere + Fv		1
2	Gill of stainless steel/Gille en inox/Rejilla en acero inoxidable/Giglia en inox/Rost aus Edelstahl/Grate de aço inoxidável 252x252 AISI 316	20074-0402	1
	Gill of stainless steel/Gille en inox/Rejilla en acero inoxidable/Giglia en inox/Rost aus Edelstahl/Grate de aço inoxidável 412x412 AISI 316	20076-0402	1
3	Screw/Vis/Tornillo/Mterie/Schrauben/Parafusos inox. AISI 316 M6x20 Siseb. SP	032214001	2

№	Kit	Code kit	Components code
A	25901 Rejilla inoxidable	4402021601	20282-20284
A	25902 Rejilla inoxidable	4402021602	20285-20289

MAIN DRAIN  
BONDE DE FOND  
SUMIDERO  
SACARICO DI FONDO  
BODENABLAUF  
RALOS DE FONDO

ГК "Аквапул" e-mail: aquapool66@mail.ru  
www.masterural.ru www.aquapool.kz  
www.aquapool-by.su www.aquapoolam.su



Main drain made in polyester resin + F.V. Gel-coat finish / Grill of stainless steel / Screws and frame of Stainless steel AISI 316.

Bonde de fond en résine de polyester + F.V. finissage en Gel-Coat / Grille en inox / Vis et cadre en Inox AISI 316

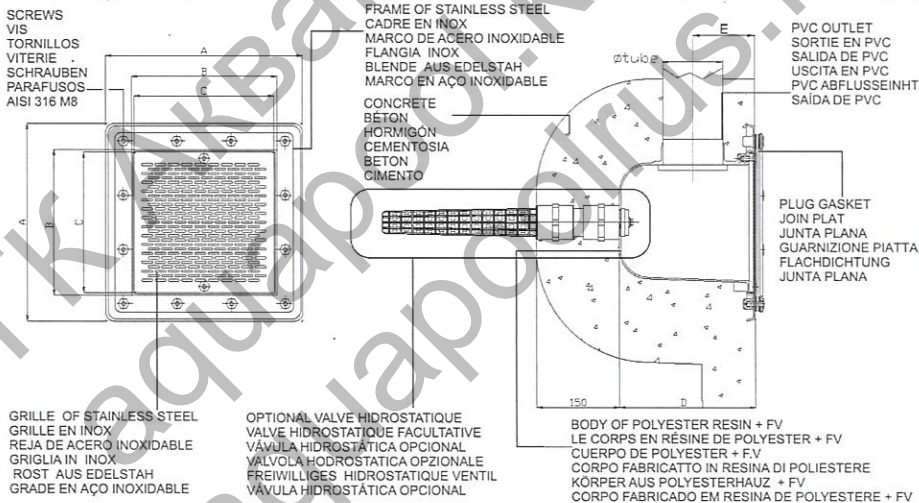
Sumidero fabricado en resina de polyester + F.V. acabado de gel-coat / Rejilla de acero inoxidable / Tornillos y marco en acero inoxidable AISI 316.

Scarico di fondo fabbricato in resina di poliestere + FV finitura in gel-coat / Griglia inox / Viterie e flangia inox AISI 316 .

Bodenablauf aus Polyesterharz + F.V. Gel-Coat Finish / Rost aus edelstah / Schrauben und blende aus edelstah AISI 316.

Ralos de fundo modelo fabricada em resina de poliestere + fv acabado em gel-coat / Grade en aço inoxidável / Parafusos em marco en aço inoxidável AISI 316

## 1.DIMENSIONS(mm)

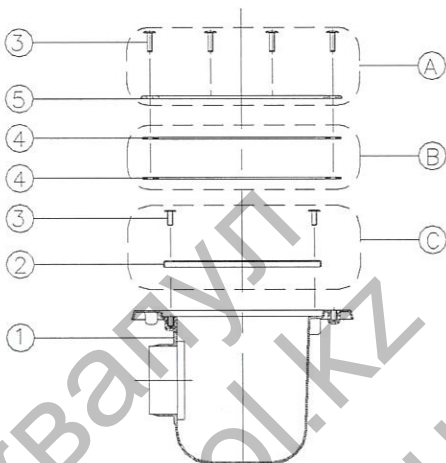


Models	A	B	C	D	E	Tube	m <sup>3</sup> /h
20074	355	260	252	245	130	75	16
20075	355	260	252	245	130	90	22
20290	355	260	252	245	130	110	33
20076	515	412	410	363	188	110	33
20077	515	412	410	363	188	125	43
20078	515	412	410	363	188	140	54
20079	515	412	410	363	188	160	70
20291	515	412	410	363	188	200	100

MAX. FLOW RECOMENDED ON THE GRILL	33,5 m <sup>3</sup> /h	(0,5 m/s)	(Cod. 20074, 20075, 20290)
MAX. FLOW RECOMENDED ON THE GRILL	20 m <sup>3</sup> /h	(0,3 m/s)	(Cod. 20074, 20075, 20290)

MAX. FLOW RECOMENDED ON THE GRILL	103 m <sup>3</sup> /h	(0,5 m/s)	(Cod. 20076-20079, 20291)
MAX. FLOW RECOMENDED ON THE GRILL	62 m <sup>3</sup> /h	(0,3 m/s)	(Cod. 20076-20079, 20291)

## 2.COMPONENTS



Models : 20074,20075,20076,20077,20078,20079,20290,20291

Nº	Denomination	Code	Units
1	Main drain made in polyester resin+ FV/Bonde de fond en résine de polyester + FV/Scarico di fondo fabbricato in resina di poliestere + FV / Bodenablauf aus Polyesterharz + F.V / Ralos de fundo modelo fabricado em resina de polyester		1
2	Grill of stainless steel/Grille en inox/Rejilla en acero inoxidable/Griglia en inox/Rost aus edenstag/Grade de aço inoxidável 252x252 AISI 316	20074-0402	1
	Grill of stainless steel/Grille en inox/Rejilla en acero inoxidable/Griglia en inox/Rost aus edenstag/Grade de aço inoxidável 41 2x412 AISI 316	20076-0402	1
3	Screw/Vis/Tornillo/Viterie/Schrauben/Parafusos inox. AISI 316 M8X 20 Siseb. S/P	032214001	12
	Screw/Vis/Tornillo/Viterie/Schrauben/Parafusos inox. AISI 316 M8X 20 Siseb. S/P	032214001	22
4	Plug gasket/cadre plat/Junta plana/Guanizione platta/Flachadichtung/Junta plana 317x317x2 EPDM 65	20074-0403	2
	Plug gasket/cadre plat/Junta plana/Guanizione platta/Flachadichtung/Junta plana 477x477x2 EPDM 65	20076R0403	2
5	Frame/cadre/Marco inoxidable/Flangia/Blende/Marco inox. AISI 316 482X482	20074-0401	1
	Frame/cadre/Marco inoxidable/Flangia/Blende/Marco inox. AISI 316 482X482	20076-0401	1

Nº.	Kit	Code kit	Components code
A	26003 Marco inoxidable sumidero	4402021703	20074-20075,20090
B	26002 Junta plana sumidero	4402021702	20074-20075,20090
C	26001 Rejilla inoxidable	4402021601	20074-20075,20090
A	26005 Marco inoxidable sumidero	4402021705	20076-20079, 20091
B	26002 Junta plana sumidero	4402021706	20074-20075,20090
C	26004 Rejilla inoxidable	4402021704	20074-20075,20090